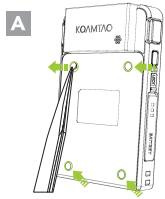
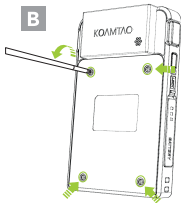


## Assembly Instructions

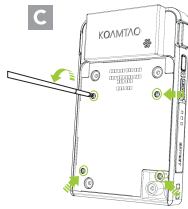
1. Using tweezers, carefully remove all four (4) screw caps from back of KDC470/475. (A)



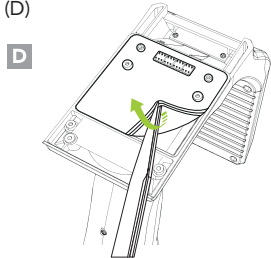
2. Remove all four (4) screws from back of KDC470/475. (B)



3. Remove cover plate from back of KDC470/475. (C)

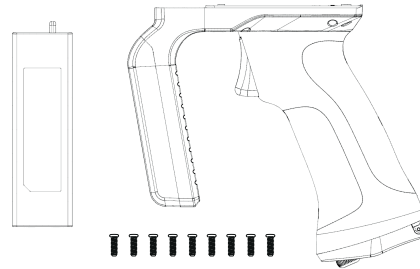


4. Remove blue protective film from KDCSLED-UHF1.0W. (D)



## What's in the Box?

- 1 x KDCSLED-UHF1.0W
- 1 x 600mAh Lithium-ion Battery
- 8 screws + 1 extra



\*KDC470/475 sold separately. Tweezers and PH0 screwdriver (not included) will be necessary to complete assembly.

## Additional KDC470/475 Accessories:

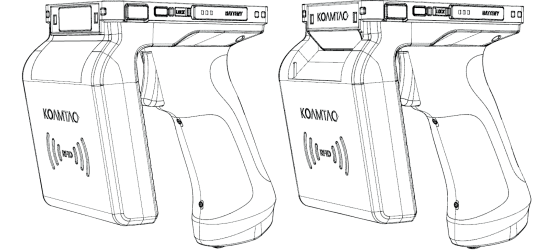
- 1-Slot Charging Cradle

# KOAMTAC

116 Village Blvd, Ste 305, Princeton, NJ 08540  
+1 609-256-4700 p | +1 609-228-4373 f  
info@koamtac.com | www.koamtac.com

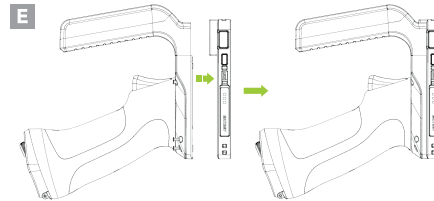
# KOAMTAC

KDC470/475  
KDCSLED-UHF1.0W  
Assembly Manual

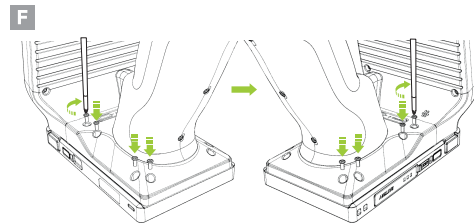


\*KDC470 KDCSLED-UHF1.0W and KDC475 KDCSLED-UHF1.0W are assembled the same way.

5. Align the screw holes of KDC470/475 with the screw holes of the KDCSLED-1.0W. (E)

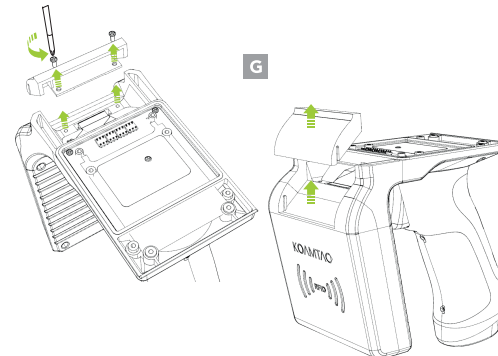


6. Use the four (4) included screws to tighten the KDCSLED-UHF1.0W to KDC470/475 as shown as below. (F)

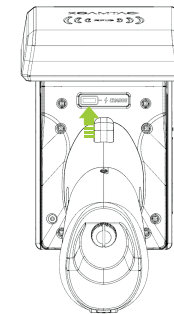


## Cover Disassembly (KDC 475 only)

If using the KDCSLED-UHF1.0W with a KDC475, you must remove the cover by removing the two screws and lifting the cover up as shown below. This must be done prior to attaching to KDC475. (G)



## Battery Status



When the device is charging

Red: Low Battery  
Orange: Charging  
Green: Fully Charged

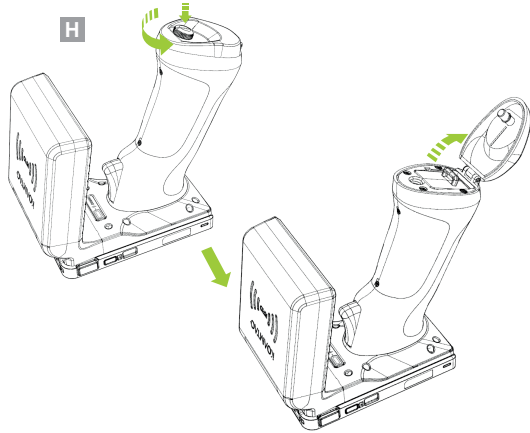
When the battery is in use and device is discharging

Blinking Red: Low Battery  
Blinking Orange: Discharging  
Blinking Green: Fully Charged

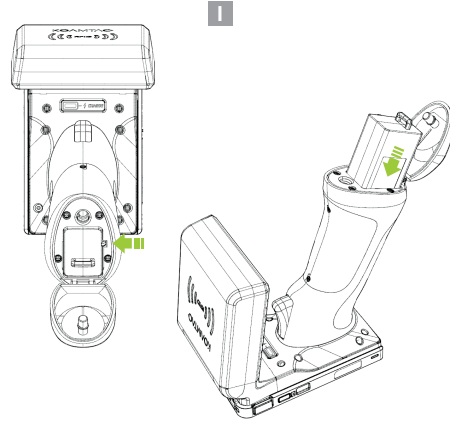
\*The LED (Light Emitting Diode) blinks when the battery is being used .

## 6,000mAh Lithium-ion Battery Installation

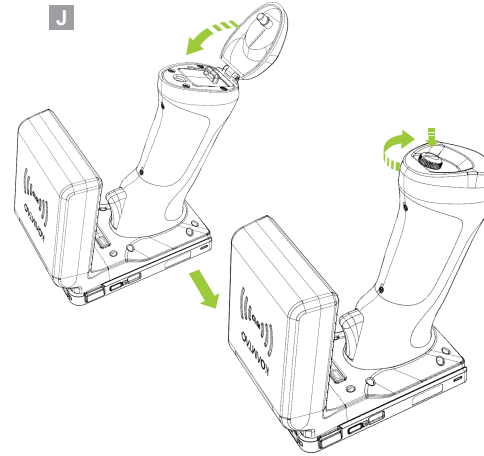
1. Turn the battery door knob counterclockwise and open the battery door as shown below. (H)



2. Insert the battery to the KDCSLED-UHF1.0W inner guide groove. (I)



3. Close the battery door. And turn the battery door knob clockwise to lock. (J)



## Changing Tag Read Mode

The tag read mode is changed by scanning one of the following barcode or by pressing the Down key of KDC470/475 for 3 seconds in RFID mode.

The order is changed to in the following order:  
Active (default) read -> Single read -> Multiple read

### Active Read Mode

Basic operation status. Simultaneous reading of multiple tags while pressing the scan button (max. 10 minutes).

\* 3 short beeps will occur when changing mode with Down key.

Active Read Mode



### Single Read Mode

Only one tag is read every time the scan button is pressed.

\* 1 short beep will occur when changing mode with Down key.

Single Read Mode



### Multiple Read Mode

When the Scan button is pressed, multiple tags are read simultaneously for the set time (default 10 seconds).

\* Time setting can be changed in Settings -> Reading Timeout.  
\* 2 short beeps will occur when changing mode with Down key.

Multiple Read Mode



## Toggle Read Modes

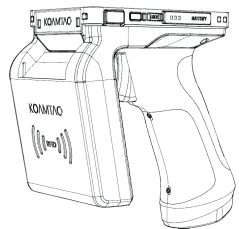
There are two read modes in which the SCAN or Trigger button works and they are toggled by pressing UP button for 3 seconds.

- Barcode Mode: When entered into this mode, 1 long and 1 short beep will be heard. Barcodes can be read with SCAN or Trigger button.
- Tag Reading Mode: When entered into this mode, 1 long and 2 short beeps will be heard. UHF tags can be read with SCAN or Trigger button.

## View of Assembled Product



Assembled View  
with KDC470



Assembled View  
with KDC475